

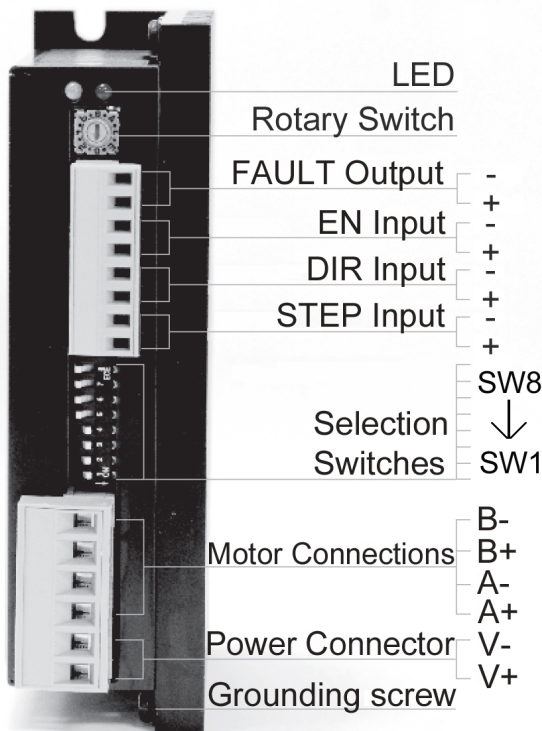
SR4

Step Motor Drive

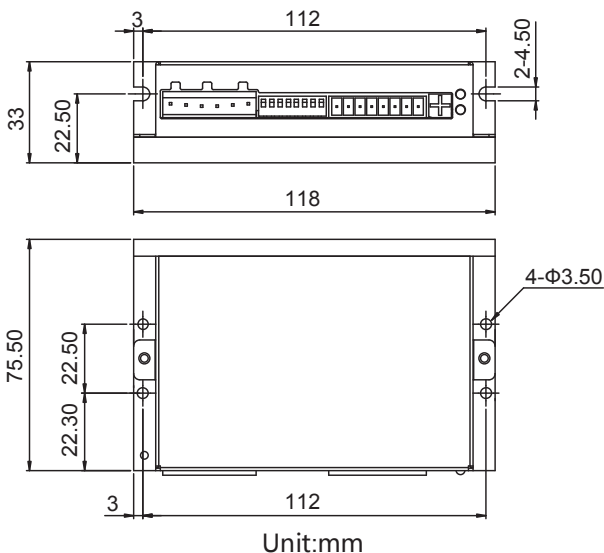
Description

The SR4 series drive is a cost-effective, high performance 2 phase step drive. The design is based on advanced digital current control technology, and features high torque, low noise, and low vibration. The running current and microstep resolution are switch selectable.

Connections - Inputs & Outputs

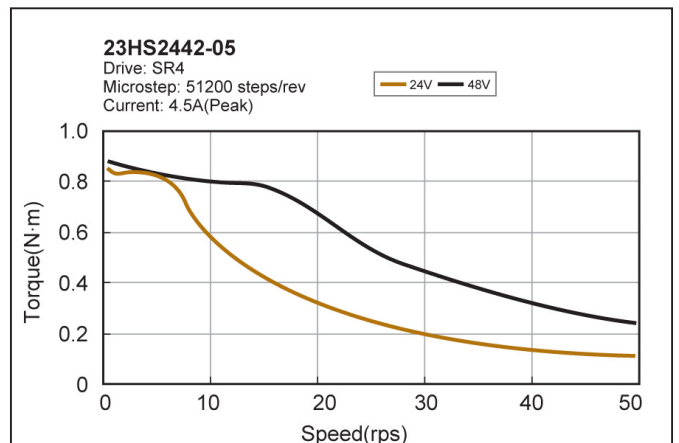
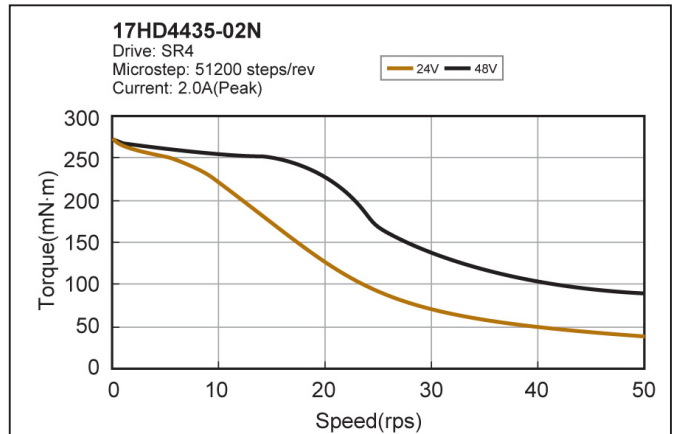
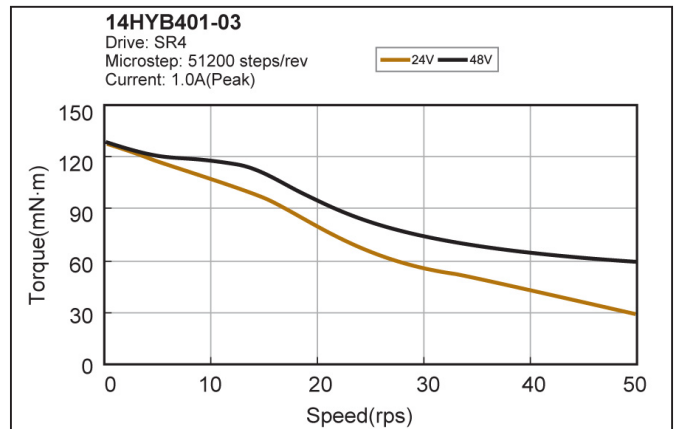
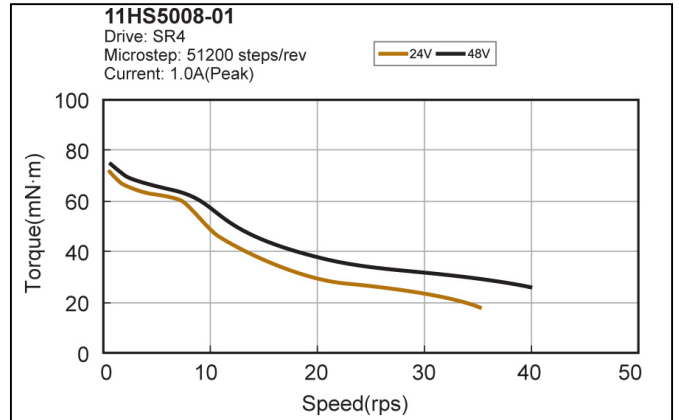


Mechanical Drawings



Torque Curves

The torque curves below were generated from some of the recommended motors.



Specifications

Electrical Specifications

Parameter	Min.	Typ.	Max.	Unit
Power Supply	24	-	48	VDC
Output Current (Peak)	1	-	4.5	amps
STEP/DIR Input Signal Average Forward Current	6	10	15	mA
Step Frequency	2	-	2M	Hz
STEP Minimum Pulse Width Hi and Low	250	-	-	ns
DIR Minimum Pulse Width	50	-	-	us
Under Voltage Protection	-	20	-	VDC
Over Voltage Protection	-	60	-	VDC
STEP/DIR Input Signal Voltage	4.0	-	28	VDC
Driver Initialization Time	-	-	2.5	S

Environmental Specifications

Heat Sinking Method	Natural cooling or fan-forced cooling
Surrounding Air Conditions	Avoid dust, oily mist and corrosive air
Operating Temperature	0 - 40°C (32 - 104°F)
Maximum Ambient Humidity	90% non-condensing
Shock	5.9m/s ² maximum
Storage Temperature	-10 - 70°C (14 - 158°F)

Switch Selections

Running current, idle current, microstep resolution and self test are selectable by a switch or a combination of on/off settings of 2 or more switches.

Running current - 3 switches for a total of 8 settings:

Peak	SW1	SW2	SW3
1A	ON	ON	ON
1.5A	OFF	ON	ON
2A	ON	OFF	ON
2.5A	OFF	OFF	ON
3A	ON	ON	OFF
3.5A	OFF	ON	OFF
4A	ON	OFF	OFF
4.5A	OFF	OFF	OFF

Idle Current (**SW4**) - ON for 50% of running value, OFF for 90%

Microstep resolution - 3 switches for a total of 8 settings:

Microstep(step/rev)	SW5	SW6	SW7
400	ON	ON	ON
800	OFF	ON	ON
1600	ON	OFF	ON
3200	OFF	OFF	ON
6400	ON	ON	OFF
12800	OFF	ON	OFF
25600	ON	OFF	OFF
51200	OFF	OFF	OFF

Self test (**SW8**) - ON for self test, OFF for none